

PIC dsPIC	AVR		LOW SERIAL		HIGH SERIAL		PARALLEL	
	ATMEL	ATMEL	ATMEL	ATMEL	Eep. I2C	93AAxx		
VPP2			RESET		VSS	VSS		
VSS	VSS	VSS	GND		VSS	VSS		
VPP			RESET	RESET	LA0/A1			
RC1							ORG	
VDD	XTAL	SCI	*RDY/BSY		VDD	VDD	PE	
VDD	VDD	VDD	*VDD		VDD	VDD	VDD	
RB1-Clock	RESET		CS	WP			CS	
RC7	SCK	SDO	SCK	SCL	CLK			
RB0-Data	MOSI	SDI	MISO	A2	DI			
	DATA	MISO	SII	MISO	SDA	DO		
				VDD				

ZIF SOCKET

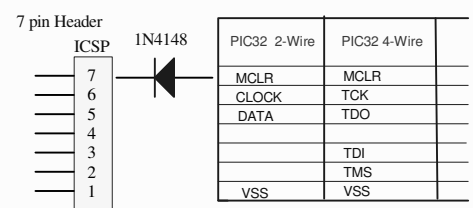
VPP2	10
GND	9
VPP	8
RC1	7
VDD	6
VDD	5
RB1-Clock	4
RC7	3
RB0-Data	2
VCC	1

IDC-10

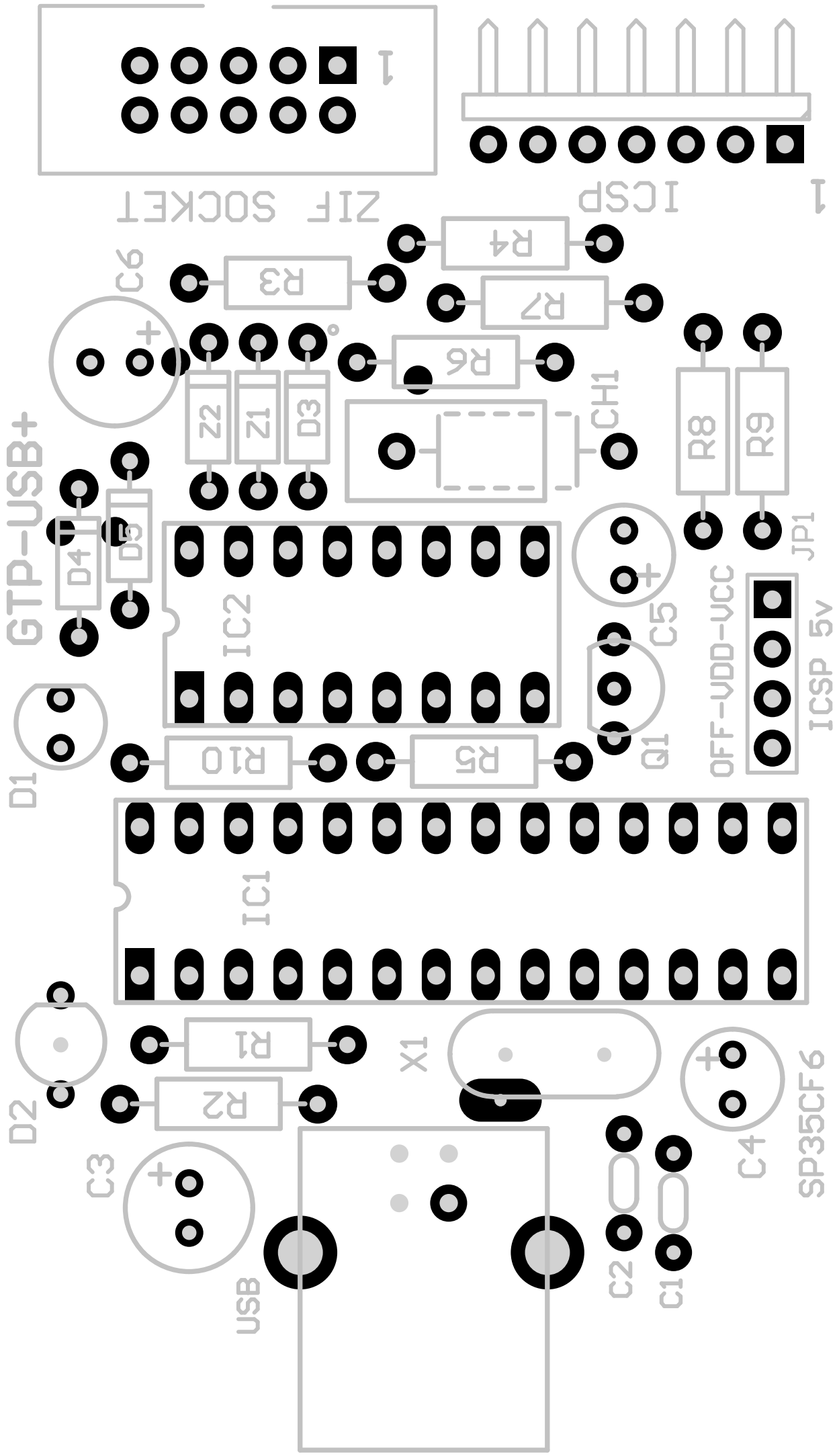
7 pin Header

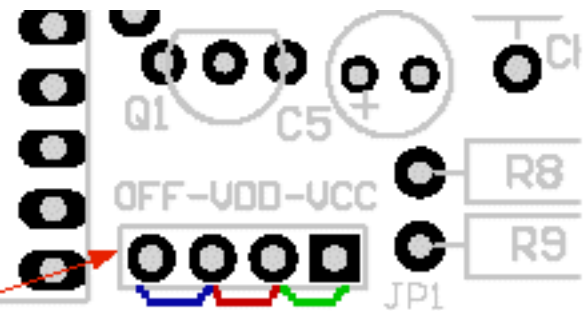
PIC dsPIC	AVR		LOW SERIAL		HIGH SERIAL	
	ATMEL	ATMEL	ATMEL	ATMEL		
VPP			RESET			
CLOCK	SCK	SDO				
DATA	MISO	SII				
VDD/VCC	VDD/VCC	VDD/VCC				
	MOSI	SDI				
	RESET					
VSS	VSS	VSS				

- R6 100
- R7 100
- R8 100
- R9 100



Title Cannot open file		WinPic800 GTP-USB [plus]	
Size A4	Number	Revision 3.0	
Date: 11/03/2008	Sheet of		3
Drawn By: Francisco J. Benach			





- no Vdd in pin 4 ICSP (default)
- Vdd in pin 4 controlled for Q1 + 5v (used single in special cases)
- Vdd in pin 4 direct of the port USB +5v (common use)

- no Vdd en pin4 ICSP (defecto)
- Vdd en pin 4 controlado por Q1 + 5v (usado en casos especiales)
- Vdd en pin 4 directo del puerto USB +5v (uso comun)

Description	Designator	Value
	C1	15p
	C2	15p
Capacitor Electrolytic	C3	100 uF / 16v
Capacitor Electrolytic	C4	47 uF / 16v
Capacitor Electrolytic	C5	1 uF / 16v
Capacitor Electrolytic	C6	47 uF / 50v
	CH1	680 uH
	D1	Led red
	D2	LED two color
	D3	1N4148
Shottky 30v 200mA	D4	BAT85
Shottky 30v 200mA	D5	BAT85
PIC Microchip	IC1	PIC18F2550
DARLINGTON ARRAY	IC2	ULN2003
Header, 7-Pin, Right Angle	ICSP	7 pin Header
Header, 4-Pin	JP1	Jumper
	Q1	BC557
	R1	1K
	R2	1K
	R3	2k2 1/4w.
	R4	2k2 1/4w .
	R5	2k2
	R6	100
	R7	100
	R8	100
	R9	100
	R10	10k
USB female type B	USB	
	X1	12 Mhz
Diode Zener 400mW	Z1	13 v.
Diode Zener 400mW	Z2	13 v.
	ZIF SOCKETs	ICD-10